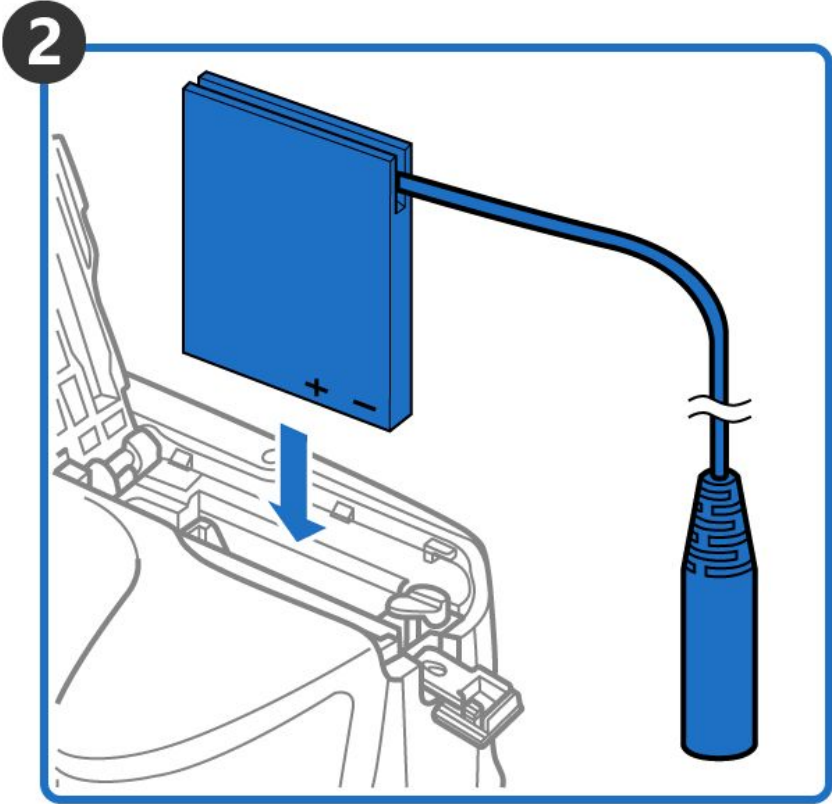
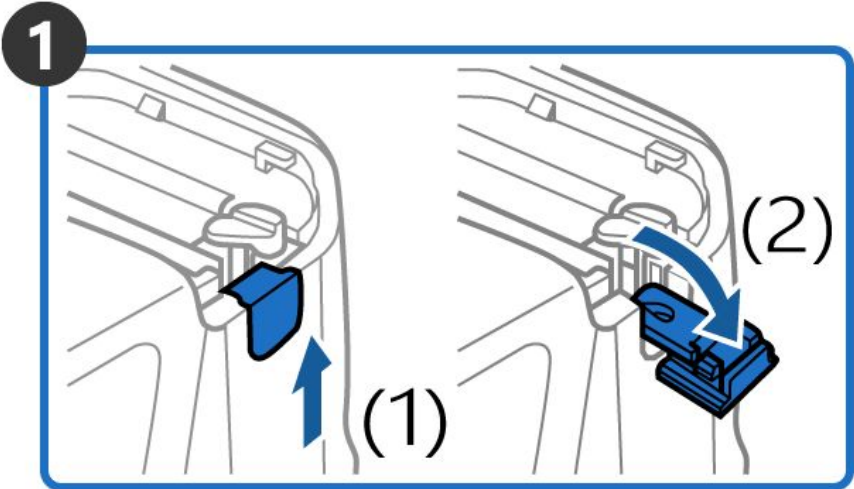
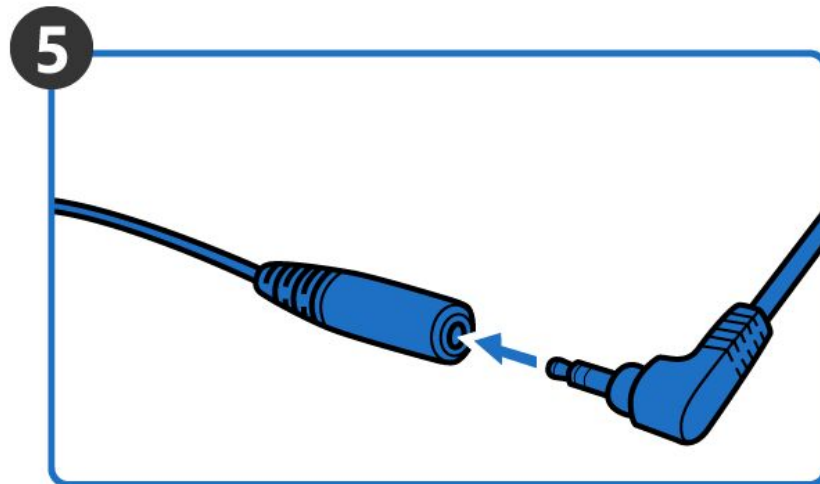
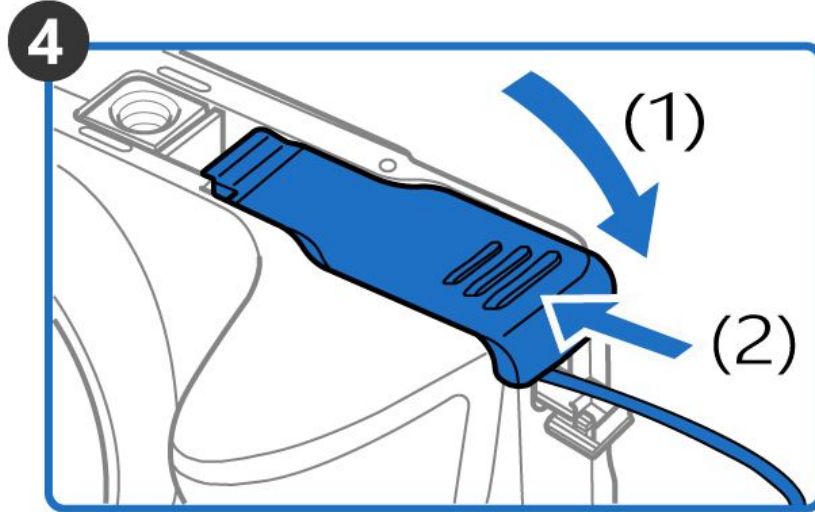
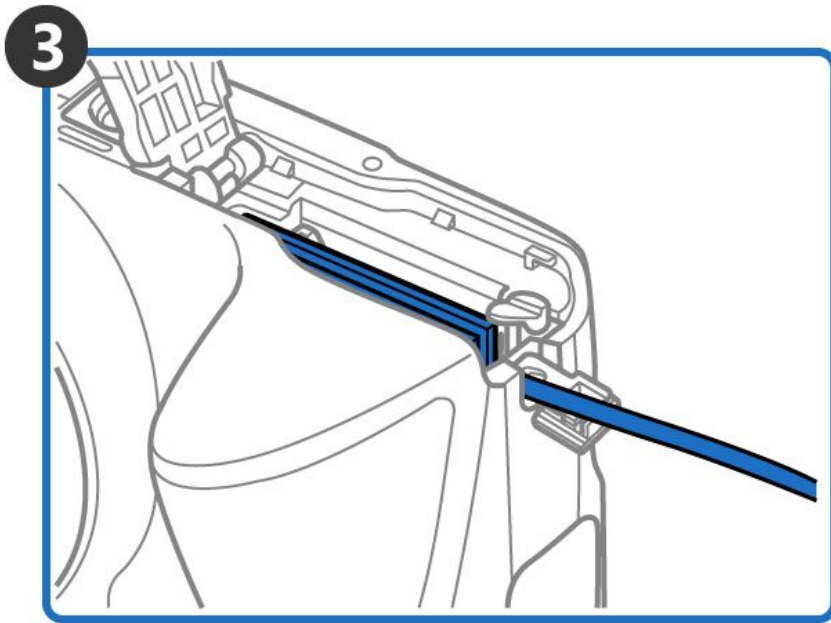
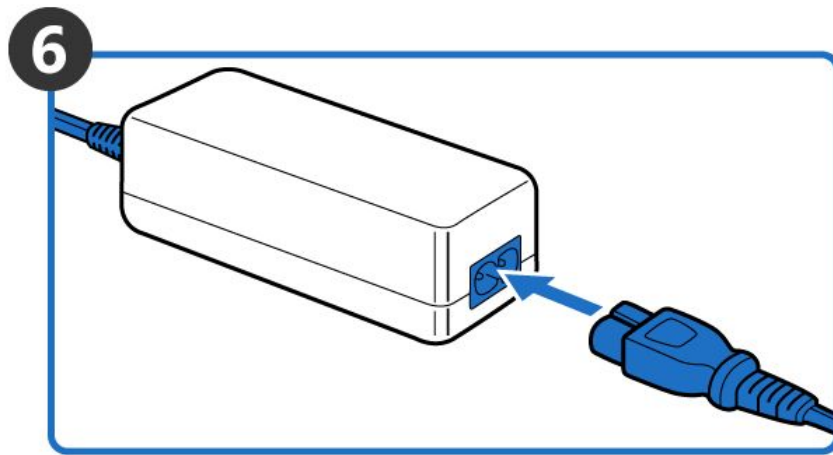


Constant (DC) Power Connection for Canon Cameras Compatible with inPhoto

How to connect constant (DC) power to Canon cameras compatible with inPhoto







Compact camera models

Different camera models use different type of power supply. Use the instructions for your camera model below:

Canon PowerShot:

- SX430 IS
- SX420 IS
- SX410 IS
- A4000 IS
- ELPH 200 IS (IXUS 190)
- ELPH 185 (IXUS 185)
- ELPH 180 (IXUS 175)
- ELPH 190 IS (IXUS 180)
- ELPH 160 (IXUS 160)
- ELPH 135 (IXUS 145)

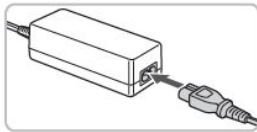
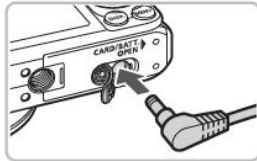
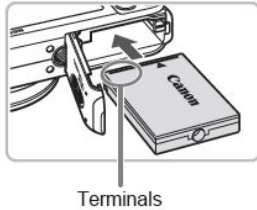
This camera models has no possibility of a direct connection. The camera uses proprietary Canon NB-11L format batteries. You will need to buy special AC Adapter Kit for this format which already consists of AC Adapter and NB-11L format coupler:

Adapter ACK-DC90 (AC Adapter Kit
ACK-DC90 is the same label for it)



To connect your camera to AC Adapter Kit and DC Coupler use instructions of your camera user guide from “Using Household Power” section. For example, instructions for PowerShot A4000 model:

- 1 Turn off the camera.**
- 2 Insert the coupler.**
 - ||| Open the cover (p. 17) and insert the coupler as shown until it locks into place with a click.
 - ||| Close the cover (p. 17).
- 3 Plug the cord into the coupler.**
 - ||| Open the cover and fully insert the plug into the coupler.
- 4 Connect the power cord.**
 - ||| Connect the power cord to the compact power adapter, then plug the other end into a power outlet.
 - ||| You can turn the camera on to use it.
 - ||| After you finish, turn off the camera and unplug the power cord from the power outlet.



Do not unplug the plug or power cord with the camera turned on. This could erase images you have taken or damage the camera.

Canon PowerShot:

• SX520 HS

• SX170 IS

• SX510 HS

This camera models has no possibility of a direct connection. The camera uses proprietary Canon NB-6LH format batteries. You will need to buy special AC Adapter Kit for this format which already consists of AC Adapter and NB-6LH format coupler:

Adapter ACK-DC40 (AC Adapter Kit ACK-DC40 is the same label for it)



To connect your camera to AC Adapter Kit and DC Coupler use instructions of your camera user guide from “Using Household Power” section. For example, instructions for PowerShot SX170 IS model:

Still Images Movies


Powering the Camera with Household Power

Powering the camera with AC Adapter Kit ACK-DC40 (sold separately) eliminates the need to monitor the remaining battery level.

1 Make sure the camera is off.

2 Insert the coupler.


- Follow step 2 in “Inserting the Battery Pack and Memory Card” (13) to open the cover.
- Insert the coupler facing the direction shown, just as you would a battery pack (following step 3 in “Inserting the Battery Pack and Memory Card” (13)).
- Follow step 5 in “Inserting the Battery Pack and Memory Card” (13) to close the cover.



Terminals

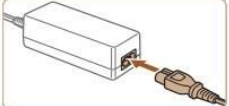
3 Connect the adapter to the camera.

- Open the cover and insert the adapter plug fully into the camera.



4 Connect the power cord.

- Insert one end of the power cord into the compact power adapter, and then plug the other end into a power outlet.
- Turn the camera on and use it as desired.
- When finished, turn the camera off and unplug the power cord from the outlet.



!

- Do not disconnect the adapter or unplug the power cord while the camera is still on. This may erase your shots or damage the camera.
- Do not attach the adapter or adapter cord to other objects. Doing so could result in malfunction or damage to the product.

Canon PowerShot:

• G15

• SX40 HS

This camera models has no possibility of a direct connection. The camera uses proprietary Canon NB-10L format batteries. You will need to buy special AC Adapter Kit for this format which already consists of AC Adapter and NB-10L format coupler:

AC Adapter Kit ACK-DC80

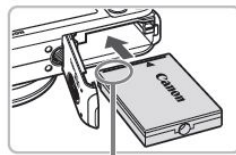


To connect your camera to AC Adapter Kit and DC Coupler use instructions of your camera user guide from “Using Household Power” section. For example, instructions for PowerShot SX40 HS model:

1 Turn off the camera.

2 Insert the coupler.

- ||| Open the cover (p. 17) and insert the coupler as shown until it locks into place with a click.
- ||| Close the cover (p. 17).



Terminals

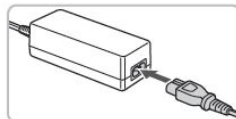
3 Plug the cord into the coupler.

- ||| Open the cover and fully insert the plug into the coupler.



4 Connect the power cord.

- ||| Connect the power cord to the compact power adapter, then plug the other end into a power outlet.
- ||| You can turn the camera on to use it.
- ||| After you finish, turn off the camera and unplug the power cord from the power outlet.



Do not unplug the plug or power cord with the camera turned on. This could erase images you have taken or damage the camera.

Canon PowerShot:

- SX160 IS
- A1400

- SX150 IS
- A810

- SX500 IS
- A800

Camera has no possibility of a direct connection. The camera uses AA format batteries. You will need to buy not only AC Adapter Kit, but special coupler adapter which is sold separately:

DC Coupler DR-DC10

Warning! “DC coupler DR-10” is not equal to DR-DC10. It is not coupler for SX150 IS, A810, A800 model.

Attention! Many online shops have a different and wrong picture of this coupler. Please check its type before you buy.



AC Adapter Kit ACK-800 (Compact Power Adapter CA-PS800 is the same label for it)



To connect your camera to AC Adapter Kit and DC Coupler use instructions of your camera user guide from “Using Household Power” section:

- 1 Turn off the camera.**
- 2 Open the cover.**
 - Follow Step 2 on p. 12 to open the memory card/battery cover.
 - Open the coupler cable port as shown.
- 3 Insert the coupler.**
 - Insert the coupler as shown.
 - Make sure the coupler cable passes through the port.
- 4 Close the cover.**
 - Close the cover (①), and press downward as you slide it until it clicks into place (②).
- 5 Connect the power cord.**
 - Insert the coupler cable terminal into the adapter plug.
 - Connect the power cord to the compact power adapter, then plug the other end into a power outlet.
 - Turn the camera on to use it.
 - After you finish, turn off the camera and unplug the power cord from the power outlet.

! Do not unplug the plug or power cord with the camera turned on. This could erase images you have taken or damage the camera.

Canon PowerShot:

• SX130 IS

• A495

• A480

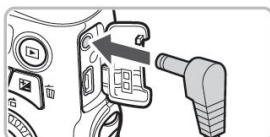
This camera models has the ability to directly connect the power supply adapter. You will need to buy only:

AC Adapter Kit ACK-800 (Compact Power Adapter CA-PS800 is the same label for it)



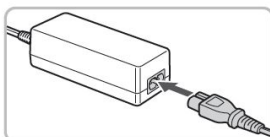
To connect your camera to AC Adapter Kit use instructions of your camera user guide from “Using Household Power” section. For example, instructions for PowerShot SX130 model:

1 Turn off the camera.



2 Plug the cord into the camera.

- Open the cover and fully insert the plug into the camera.



3 Connect the power cord.

- Connect the power cord to the compact power adapter, then plug the other end into a power outlet.
- Turn the camera on to use it.
- After you finish, turn off the camera and unplug the power cord from the power outlet.



Do not unplug the plug or power cord with the camera turned on. This could erase images you have taken or damage the camera.

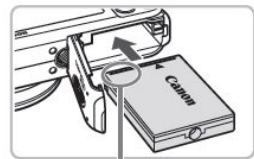
This camera models has no possibility of a direct connection. The camera uses proprietary Canon NB-8L format batteries. You will need to buy special AC Adapter Kit for this format which already consists of AC Adapter and NB-8L format coupler:

AC Adapter Kit ACK-DC60

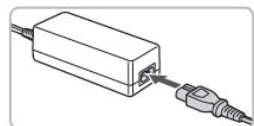


To connect your camera to AC Adapter Kit and DC Coupler use instructions of your camera user guide from “Using Household Power” section. For example, instructions for PowerShot A2200 model:

- 1 Turn off the camera.**
- 2 Insert the coupler.**
 - ||| Open the cover (p. 17) and insert the coupler as shown until it locks into place with a click.
 - ||| Close the cover (p. 17).
- 3 Plug the cord into the coupler.**
 - ||| Open the cover and fully insert the plug into the coupler.
- 4 Connect the power cord.**
 - ||| Connect the power cord to the compact power adapter, then plug the other end into a power outlet.
 - ||| You can turn the camera on to use it.
 - ||| After you finish, turn off the camera and unplug the power cord from the power outlet.



Terminals



! Do not unplug the plug or power cord with the camera turned on. This could erase images you have taken or damage the camera.

Canon PowerShot:

• SX210 IS

• SX200 IS

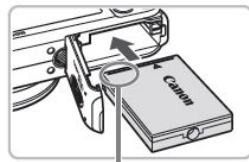
This camera models has no possibility of a direct connection. The camera uses proprietary Canon NB-5L format batteries. You will need to buy special AC Adapter Kit for this format which already consists of AC Adapter and NB-5L format coupler:

AC Adapter Kit ACK-DC30



To connect your camera to AC Adapter Kit and DC Coupler use instructions of your camera user guide from “Using Household Power” section. For example, instructions for PowerShot SX210 model:

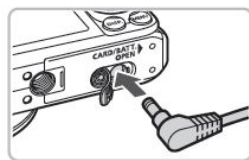
1 Turn off the camera.



Terminals

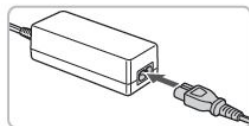
2 Insert the coupler.

- ||| Open the cover (p. 17) and insert the coupler as shown until it locks into place with a click.
- ||| Close the cover (p. 17).



3 Plug the cord into the coupler.

- ||| Open the cover and fully insert the plug into the coupler.



4 Connect the power cord.

- ||| Connect the power cord to the compact power adapter, then plug the other end into a power outlet.
- ||| You can turn the camera on to use it.
- ||| After you finish, turn off the camera and unplug the power cord from the power outlet.



Do not unplug the plug or power cord with the camera turned on. This could erase images you have taken or damage the camera.

SLR (EOS) camera models

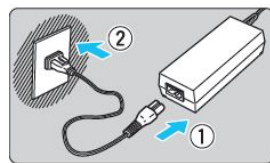
All Canon SLR cameras do not have the ability to connect directly. The camera uses a proprietary format batteries Canon, which depends on the model. You will need to buy special AC Adapter Kit which already consists of AC Adapter and coupler. Use table below to determine AC Adapter Kit label for your camera model:

US Model Name	Rest Of World Name	Adapter Kit Model
EOS Rebel T7i EOS Rebel SL2 EOS 77D EOS Rebel T6s EOS Rebel T6i	EOS 800D EOS 200D EOS 77D EOS 760D EOS 750D	AC Adapter Kit ACK-E18
EOS Rebel SL1	EOS 100D	AC Adapter Kit ACK-E15
(not available in US) EOS Rebel T7 EOS Rebel T6 EOS Rebel T5 EOS Rebel T3	EOS 4000D EOS 2000D EOS 1300D EOS 1200D EOS 1100D	AC Adapter Kit ACK-E10
EOS Rebel T5i EOS Rebel T4i EOS Rebel T3i EOS Rebel T2i	EOS 700D EOS 650D EOS 600D EOS 550D	AC Adapter Kit ACK-E8
EOS 80D EOS 70D	EOS 80D EOS 70D	AC Adapter Kit ACK-E6
EOS Rebel T1i EOS Rebel XSi EOS Rebel XS	EOS 500D EOS 450D EOS 1000D	AC Adapter Kit ACK-E5

Notice: You can buy AC Adapter and coupler for SLR cameras separately too. For all cameras Compact Power Adapter CA-PS700A is used. To determine DC Coupler label use appropriate kit label. For example, for EOS Rebel T3 you will need DC Coupler DR-E10, for EOS Rebel T2i - DC Coupler DR-E8 and so on. But it is much easier and cheaper to buy all-in-one adapter kit for SLR cameras.

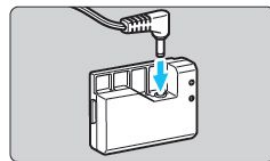


To connect your camera to AC Adapter Kit and DC Coupler use instructions of your camera user guide from “Using Household Power” section. For example, instructions for EOS Rebel T3 model:



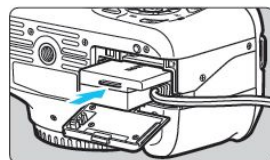
1 Connect the power cord.

- Connect the power cord as shown in the illustration.
- After using the camera, unplug the power plug from the power outlet.



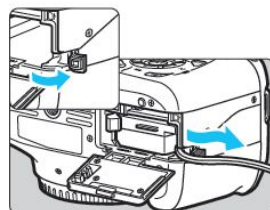
2 Connect the DC Coupler.

- Connect the cord's plug to the DC Coupler.



3 Insert the DC Coupler.

- Open the card/battery compartment cover and insert the DC Coupler until it locks in place.



4 Push in the DC cord.

- Open the DC cord hole cover and install the cord as shown.
- Close the card/battery compartment cover.

⚠ Do not connect or disconnect the power cord while the camera's power switch is set to <ON>.